

Z BOX-H Battery Cabinet

● H 372-2H C372L-D-EU 372kWh | 0.5C

- Safe & Reliable
- Flexible Deployment
- Cost-efficient
- Smart Management

Battery Data

Cell type	LFP
Rated capacity	280 Ah
Serial-parallel type	1P416S
Rated capacity per pack	46.592 kWh
Pack number	8
System rated energy capacity	372.736 kWh
Rated DC voltage	1331.2 V
Rated DC voltage range	1164.8~1497.6 V
Rated DC current	140 A

General Data

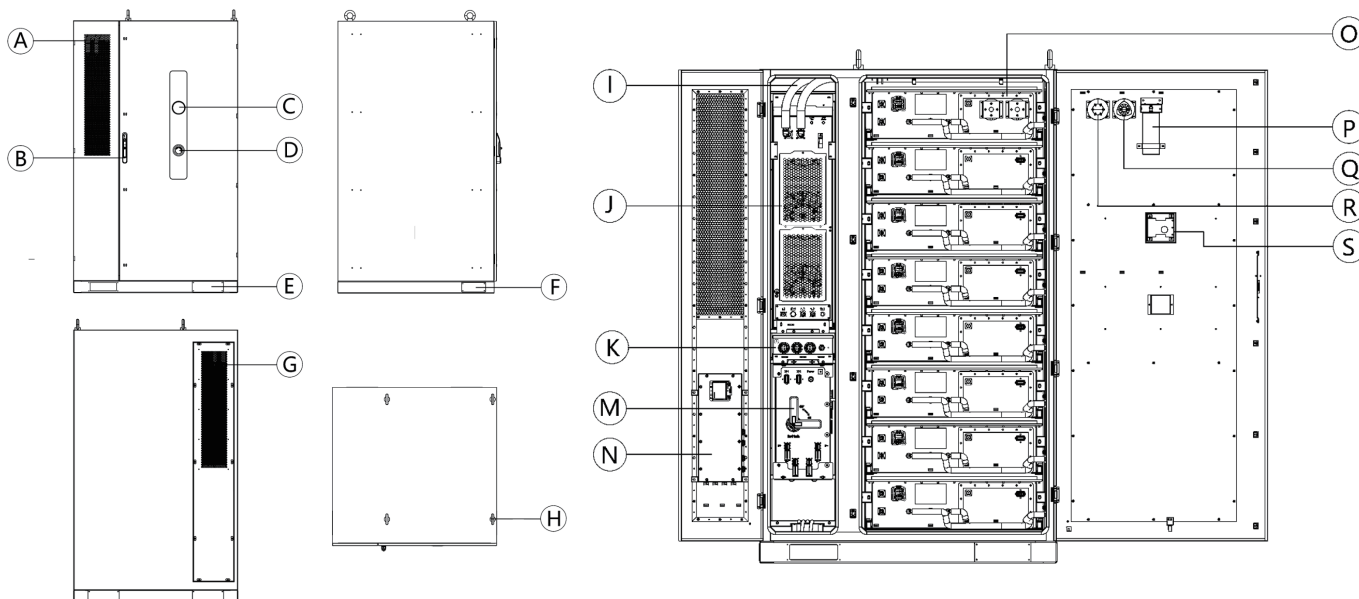
DOD	95%
Noise	≤75dB
Protection degree	IP 55 (Battery room)
Cooling method	Liquid cooling/ heating
Fire suppression system	Aerosol
Operating temperature range	-19 ~ 55° C (> 45° C derating)
Relative humidity	5% ~ 95% RH
Max.working altitude	2000 m
Display	Web/ LED
COM interfaces	RS485/ Ethernet
Dimensions (L*W*H)	1330*1370*2270 mm
Weight	3550±50 kg



ZOE Energy Storage, a pioneer in integrating investment, operation of energy storage stations, and the R&D, manufacturing, and sales of energy storage systems, has its global headquarters in Shanghai. With its R&D center in Jiangsu and joint laboratories established with top universities and international institutions, ZOE advances the development and application of energy storage technology. The company operates 14GWh intelligent energy storage factories in Jiangxi and Sichuan and has established the ZOE Digital Center in Shanghai. Leveraging outstanding R&D capabilities and innovative approaches, ZOE delivers both standardized and tailored energy storage solutions, bridging grids and scenarios for organized electricity use and balanced loads.

As a subsidiary of the ZOE Energy Group, ZOE Energy Storage contributes to the group's overarching mission. Founded in 2013, ZOE Energy Group is a high-tech enterprise dedicated to the development, investment, and management of new energy projects. Targeting carbon neutrality, the Group has developed 23 utility-scale solar projects with a combined capacity of 3.53GW and is progressing with wind, photovoltaic projects of 1.23GW. With a cumulative investment exceeding \$4.4 billion, the Group has realized an annual compound growth rate of 183%, underscoring its commitment to sustainable energy development.

Product internal schematic

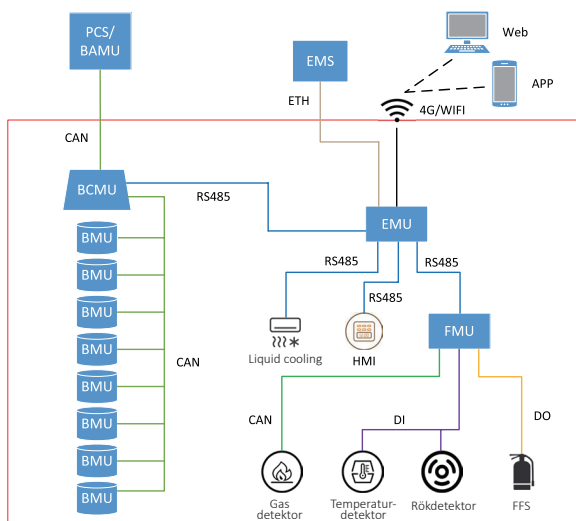


- [A] - Inlet
- [B] - Door lock
- [C] - Operation status indicator
- [D] - Emergency stop
- [E] - Forklift hole
- [F] - Side cable inlet hole

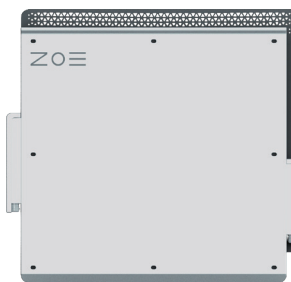
- [G] - Rear exhaust vent
- [H] - M18 suspension ring
- [I] - Liquid cooling pipeline
- [J] - Liquid cooling unit
- [K] - Control box
- [M] - High-voltage box

- [N] - Power box
- [O] - Battery module
- [P] - Thermal aerosol fire extinguishing device
- [Q] - Point-type temperature-sensing fire detector
- [R] - Optical smoke detector
- [S] - Light board

Communication architecture

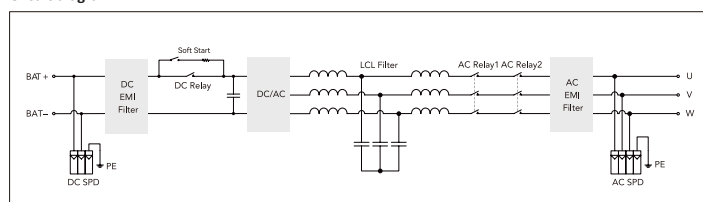


Z PCS ZOE-ECS200-HB-A 200kW



- Charge/discharge each cluster independently
- Fast plug and play, easy expansion
- CSM anti-corrosion grade
- Parallel in AC side (maximum 40 sets)
- Grid-forming/black start capability
- Safe and reliable
- Modular design philosophy
- No need advanced technical service personnel
- Horizontal and vertical mounting thermal design
- Higher battery capacity utilization

Circuit diagram



Project Cases



Generation/Grid Side Renewable Energy with Storage



Commercial and Industrial Renewable Energy with Storage



Renewable Energy with Storage in High-Altitude Areas



FOLLOW US



WEBSITE

Dedicated to Being a Global Force in Transforming Energy Structures